

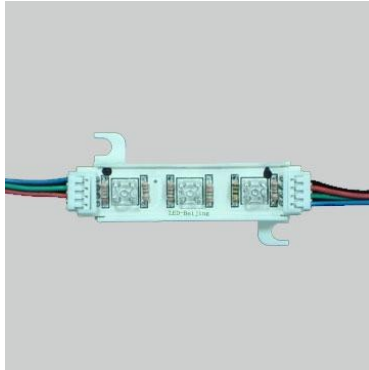


Custom made EL and LED Lighting

[www.wkled.nl](http://www.wkled.nl)

[wim@wkled.nl](mailto:wim@wkled.nl)

## WK LED RGB BACKLIGHT MODULES



photoelectric properties performance environmental temperature: 25 ° C

Type	Color	Input voltage	Power	Dimension	Emit angle	Wavelength	Flux	LED Qty
WK-3-RGB	RGB	12-24 VDC	1w	45*15*4mm	120°		20lm	3

### Features:

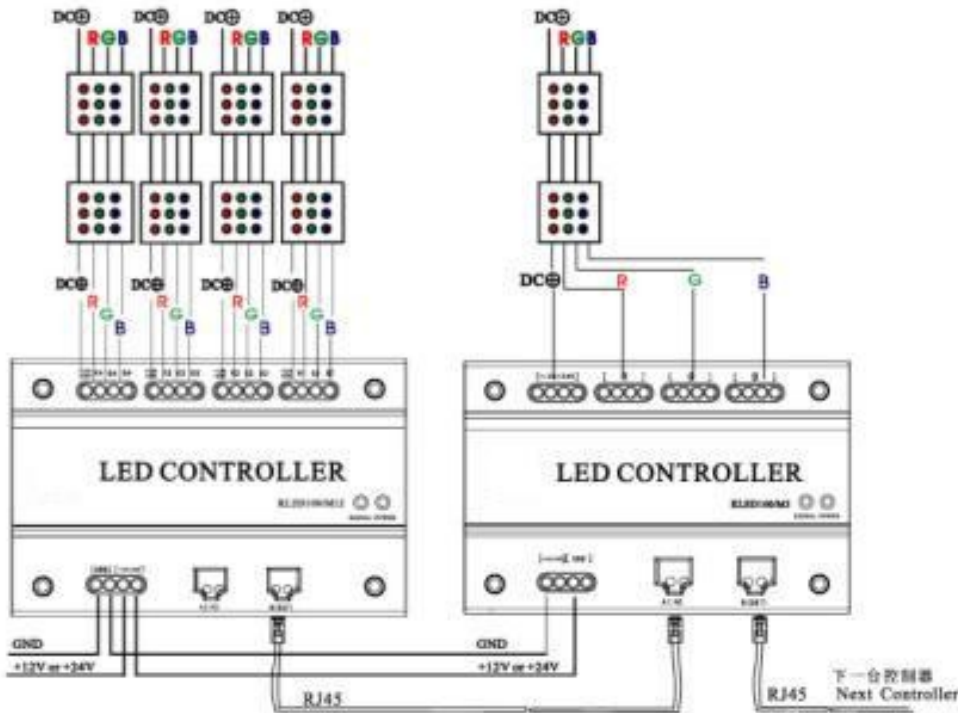
- \* 3 SMD led's, 3 chips unit
- \* Up to 200 modules can be connected without losing brightness
- \* Super small and thin suitable for all sizes channel letters!
- \* Adopt America Lumileds(HP) super illumination SMD LED
- \* Wide illumination angle design half power angle is more than 120 degrees, even colour and no light spot
- \* Adopt net constant current circuit design, strong resistance against static electricity ensures the stability of module.
- \* Many pure colours available for client's choice at will
- \* Special waterproof treatment technics, V0 fireproof level, PC bracket, fill the epoxide resin which has high coefficient of thermal conductivity, by which the welding spot can prevent the oxynization caused by vapour and the avoided the hidden trouble of heat elimination among modules. Level of protection is IP68.
- \* Use the advanced soft silica gel as wire. The wire will not age or brittle fracture under harsh Circumstance (-45 0C~300 0C), and its small resistance can reduce the effect to circuit from voltage drop.
- \* Operating temperature -25 / 120+ degrees Celcius

### Control:

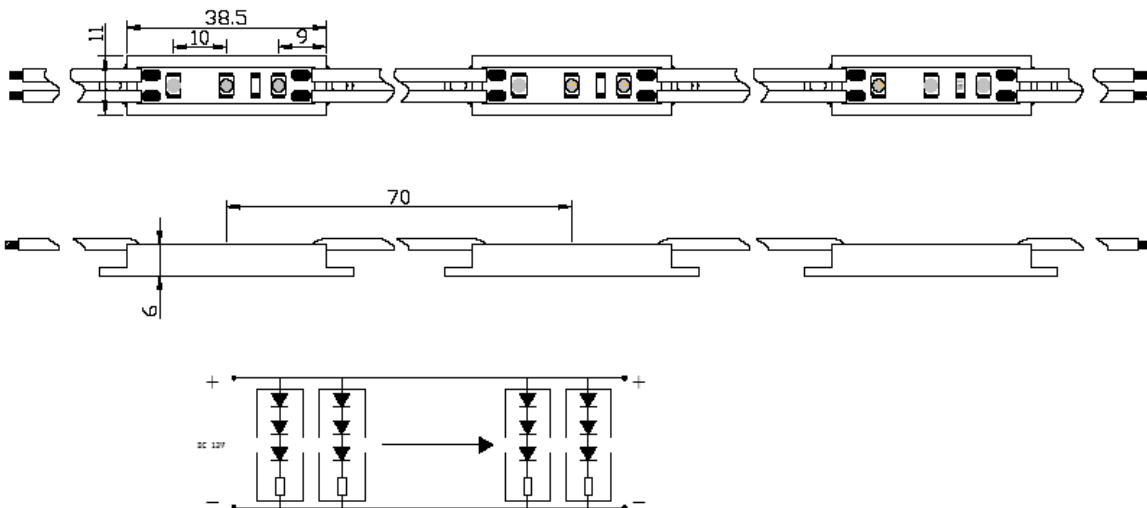


**WK LED RGB modules** can be controlled by several controllers  
 The above device can control up to 320 modules with a max. of 6A per channel  
 Preset 8 lighting effects and speed control

**Wiring diagram:**



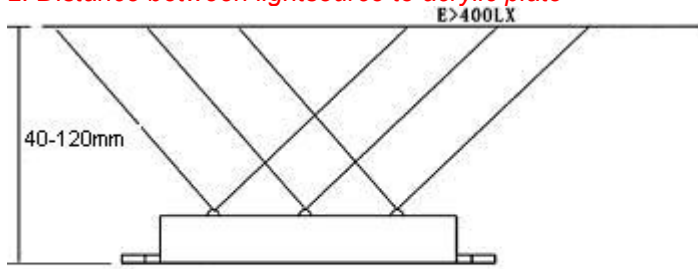
**Sizes:**



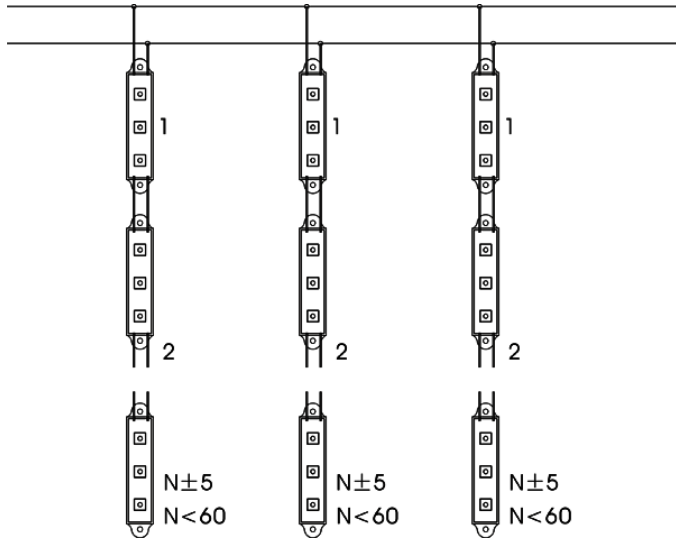
## Installation illustration:

1: Distance between modules  
Max.70mm

2: Distance between lightsource to acrylic plate



3: Maximum LED module number is 200 in a loop and make the amount similar



4. The calculating method of rated power is that: module power consumption\* module number\*1.2  
for example: 100 pieces WK-3-WP modules,  $100*1*1.2= 120W$ , so 2pc of 60W power supply can be used.

5. The 0.75mm or 18AWG wire is always used as the cable, the distance between power outlet and the first module should within 5 meters. NOTE! always ground the cable!