

---

# PLEXINEON® WHITE SERIES TECHNICAL SPECIFICATIONS

## Features & Specifications

### Intended Use

For use as exterior or interior accent lighting, interior indirect lighting, cove lighting, stage lighting, shelf lighting, signage and more.

### Construction

- UV and impact resistant acrylic diffuser
- UV resistant plastic channel in silver, white or black
- Stainless steel c-channel for rigidity
- High intensity blue LEDs and collector system
- Patented and patent-pending systems and components

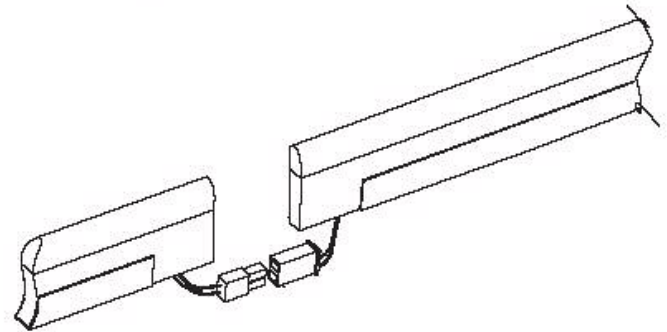
### Wiring System

- Proprietary class 2 wiring system
- No need for conduit or junction boxes

### Listing

MetLabs listed. MetLabs is a Nationally Recognized Testing Lab. Complies with UL 1598 and CSA C22.2 No 250 in Luminaires. Wet listed.

## Product Specification

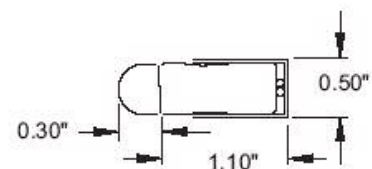


### Specifications

Height: 1.40"

Width: 0.50"

### DIMENSIONS WITH "C" CHANNEL



---

## Light Specifications

Source: High brightness blue LEDs

Wavelength of emitted light: 470nm

Estimated lifetime of LEDs: 43,800 hours (5 years 24/7)

Estimate lifetime of LEDs refers to when light output drops to 50%.

Lifetime is listed at room temperature. Ta=23C or 73.4F.

Lifetime varies according to environmental conditions.

## Ordering Information

The Plexineon White Series can be ordered in three different Kelvin temperatures.

**PN24W1-65** Plexineon White 6500°K

**PN24W1-45** Plexineon White 4500°K

**PN24W1-35** Plexineon White 3500°K

*All Kelvin temperatures are given at +/-10%.*

## Color Consistency

Each color specified (e.g. 6500°K) is associated with a range of hues (specific colors). There are variations that can occur within an individual length of product. These variations can be attributed to different hues from one LED to another and can be associated with extrusion variations and general manufacturing tolerances. The geometry of the system also leads to variations in observed light.

## Electrical Specification

Power Supply: Class II 24VDC, 4 Amps

Length of System per power supply: 32 feet or 9.8 meters

Linear Power Consumption: 2.58 Watts/foot or 8.46 Watts/meter

Amperage: 83mAmps/foot or 272 mAmps/meter

## Installation

Stainless steel mounting clips are attached to mounting surface. Plexineon locks into spring loaded clips. Pieces have external connectors for connection in series.

## Recommended Storage and Operating Temperature

-40C to 49C (-40F to 120F)

*WK Trading+Marketing*

[www.wktrading.nl](http://www.wktrading.nl)

[wktrading@wxs.nl](mailto:wktrading@wxs.nl)

## 6500°K PLEXINEON WHITE

### Summary Data

EFFICIENCY (Total): 100%  
 EFFICIENCY (Downlight): 81.9%  
 EFFICIENCY (Uplight): 18.4%  
 CIE CLASSIFICATION: SEMI-DIRECT  
 SPACING CRITERION (0-Deg.): 1.28  
 SPACING CRITERION (90-Deg.): 1.44  
 LUMENS/LAMP: 72  
 NO. OF LAMPS: 1  
 LUMENS OPENING: RECTANGULAR

Width: 0.03 (Feet)  
 Length: 2.00  
 Height: 0.03

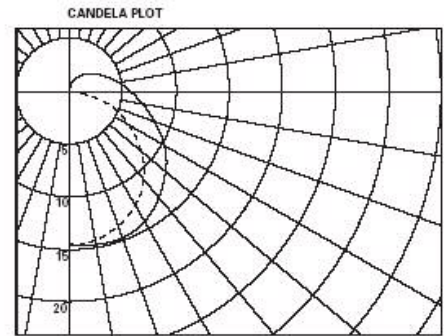
### Zonal Lumen Summary

Zone	Lumens	% Lamp	% Luminaire
0 - 30	11.8	16.5	16.4
0 - 40	20.0	27.7	27.6
0 - 60	38.1	52.9	52.7
60 - 90	20.9	29.1	29.0
0 - 90	59.0	81.9	81.7
90 - 180	13.2	18.4	18.3
0 - 180	72.2	100.3	100.0

### Average Luminance

(Candelas / Square Meter)

Angle	0	22.5	45	67.5	90
0	2493	2493	2493	2493	2493
45	2425	2030	1828	1701	1660
55	2355	1915	1716	1582	1522
65	2217	1787	1624	1470	1404
75	1964	1667	1544	1369	1312
85	1374	1613	1514	1325	1260



Quadrilaterally Symmetric  
 Dashed: 0 Degrees Solid: 90 Degrees

## 4500°K PLEXINEON WHITE

### Summary Data

EFFICIENCY (Total): 99.5%  
 EFFICIENCY (Downlight): 82.0%  
 EFFICIENCY (Uplight): 17.6%  
 CIE CLASSIFICATION: SEMI-DIRECT  
 SPACING CRITERION (0-Deg.): 1.27  
 SPACING CRITERION (90-Deg.): 1.45  
 LUMENS/LAMP: 71  
 NO. OF LAMPS: 1  
 LUMENS OPENING: RECTANGULAR

Width: 0.03 (Feet)  
 Length: 2.00  
 Height: 0.03

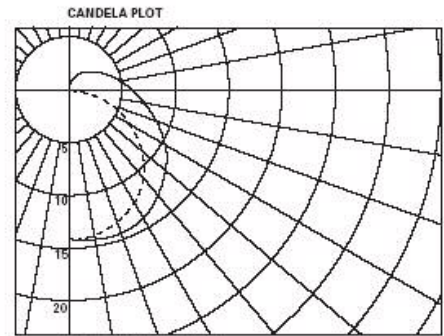
### Zonal Lumen Summary

Zone	Lumens	% Lamp	% Luminaire
0 - 30	11.8	16.6	16.6
0 - 40	19.8	27.9	28.0
0 - 60	37.7	53.1	53.4
60 - 90	20.5	28.9	29.0
0 - 90	58.2	82.0	82.4
90 - 180	12.5	17.6	17.6
0 - 180	70.7	99.5	100.0

### Average Luminance

(Candelas / Square Meter)

Angle	0	22.5	45	67.5	90
0	2459	2459	2459	2459	2459
45	2352	1993	1812	1701	1660
55	2266	1875	1700	1568	1522
65	2098	1739	1589	1455	1390
75	1837	1608	1503	1352	1296
85	1202	1530	1463	1305	1241



Quadrilaterally Symmetric  
 Dashed: 0 Degrees Solid: 90 Degrees

## 3500°K PLEXINEON WHITE

### Summary Data

EFFICIENCY (Total): 100%  
 EFFICIENCY (Downlight): 82.2%  
 EFFICIENCY (Uplight): 18.1%  
 CIE CLASSIFICATION: SEMI-DIRECT  
 SPACING CRITERION (0-Deg.): 1.26  
 SPACING CRITERION (90-Deg.): 1.41  
 LUMENS/LAMP: 59  
 NO. OF LAMPS: 1  
 LUMENS OPENING: RECTANGULAR

Width: 0.03 (Feet)  
 Length: 2.00  
 Height: 0.03

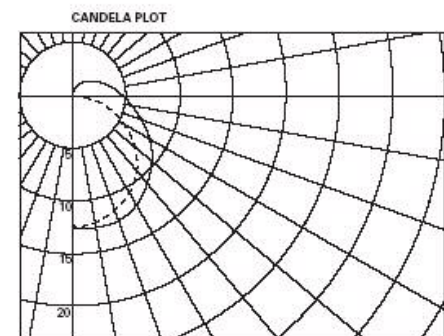
### Zonal Lumen Summary

Zone	Lumens	% Lamp	% Luminaire
0 - 30	10.2	17.3	17.2
0 - 40	17.1	28.9	28.8
0 - 60	32.0	54.3	54.1
60 - 90	16.5	28.0	27.9
0 - 90	48.5	82.2	82.0
90 - 180	10.7	18.1	18.0
0 - 180	59.2	100.3	100.0

### Average Luminance

(Candelas / Square Meter)

Angle	0	22.5	45	67.5	90
0	2149	2149	2149	2149	2149
45	2040	1700	1523	1413	1368
55	1942	1569	1408	1283	1234
65	1781	1430	1303	1164	1112
75	1584	1310	1215	1078	1037
85	1031	1241	1161	1024	978



Quadrilaterally Symmetric  
 Dashed: 0 Degrees Solid: 90 Degrees